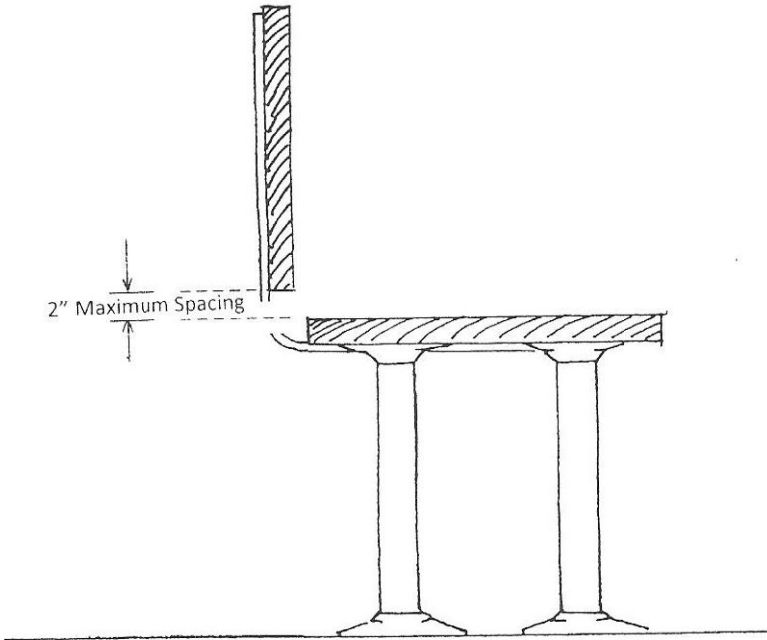
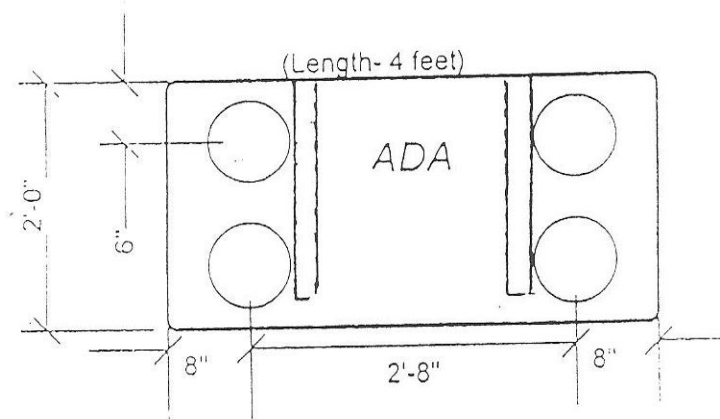


ADA Locker Room Bench with Back Support (48" x 24" w/back)



Side elevation of ADA Locker Room Bench with Back



Dimensions;

Bench Back - 48" w x 18" h

Bench Seat - 48" w x 24" d

Overall Depth - 25.5"

Overall Height - 37.50" (maximum)

Seat Height - 17.50"

Space between seat and back - 2" (maximum)

Additional Information;

Back And Seat Made From Face Glued Hardwood Strips

And Coated With A Catalyzed Lacquer Finish

Back Brackets are made of steel and painted to match pedestals

Steel Pedestals (Gray or Champagne)

When assembling, drill pilot holes for all hardware

See Our Installation Video On www.rscLOCKERS.com

ROBINSON STEEL COMPANY / P.O. Box 71 / Norristown, PA 19404

(800)275-6702 or www.rscLOCKERS.com

