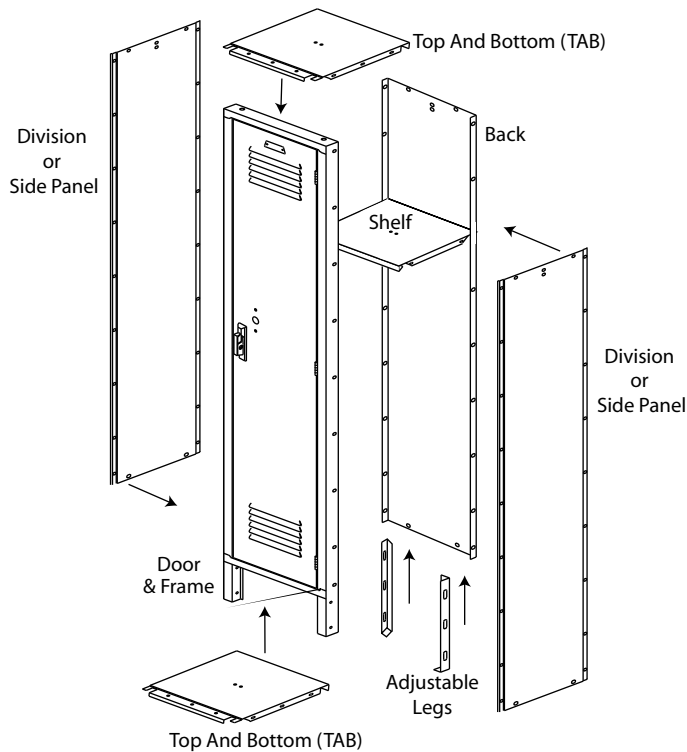


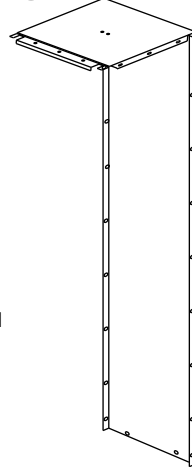
Assembly Instructions Single Tier Vanguard Locker Opening Heights of 72" and 60" (One Wide)

EXPLODED VIEW OF SINGLE TIER LOCKER

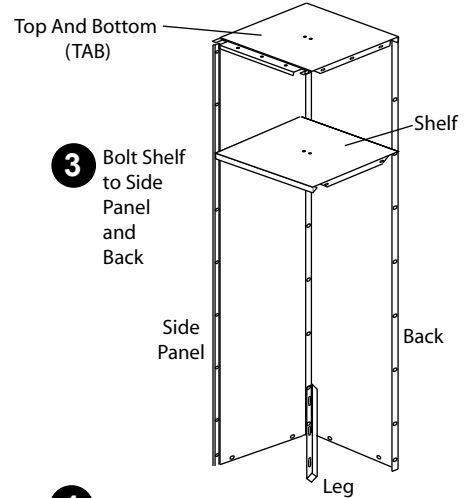


ASSEMBLY INSTRUCTIONS

1 Bolt Top (TAB) to inside of Back

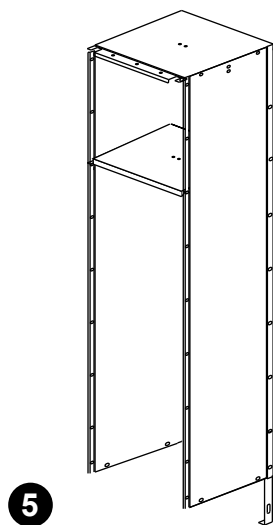


2 Bolt Division (Side Panel) to inside of Back and Outside of Top



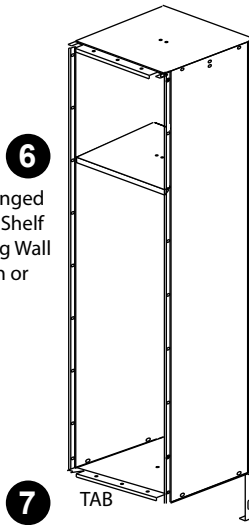
3 Bolt Shelf to Side Panel and Back

4 Bolt Adjustable Leg inside of Division (Leg height can be adjusted to level and anchor locker)



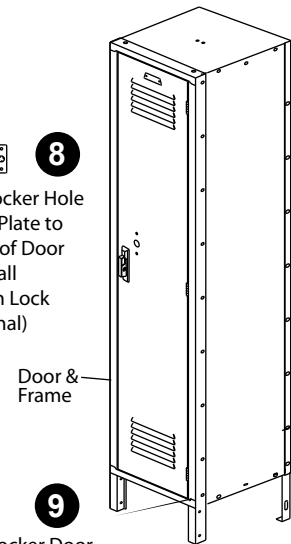
5 Bolt Division to inside of Back and outside of both TAB's, then bolt Adjustable Leg to inside of the Division (Leg Height can be adjusted to level and anchor locker)

6 Bolt Double Pronged Ceiling Hook to Shelf and Single Prong Wall Hook to Division or Back



7 Bolt Bottom (TAB) to inside of Back and Divisions

8 Bolt Locker Hole Cover Plate to inside of Door or install Built-in Lock (optional)



9 Place Locker Door and Frame over edges of Divisions (Side Panels) and edges of Top and Bottom. Open Door and Bolt Door Frame to Divisions, Top and Bottom. If needed loosen Bolts on Legs to level locker and then retighten Bolts.

FOR SAFETY PURPOSES WE STRONGLY RECOMEND THAT ALL LOCKERS BE EITHER FLOOR OR WALL ANCHORED

Penco Products, Inc.

99 Brower Avenue, P. O. Box 378, Oaks, Pennsylvania 19456-0378

Phone 800-562-1000 FAX 800-248-1555

www.pencoproducts.com